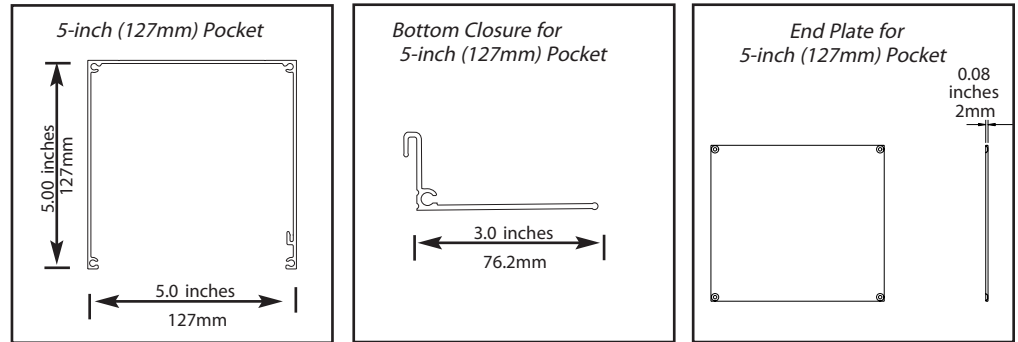
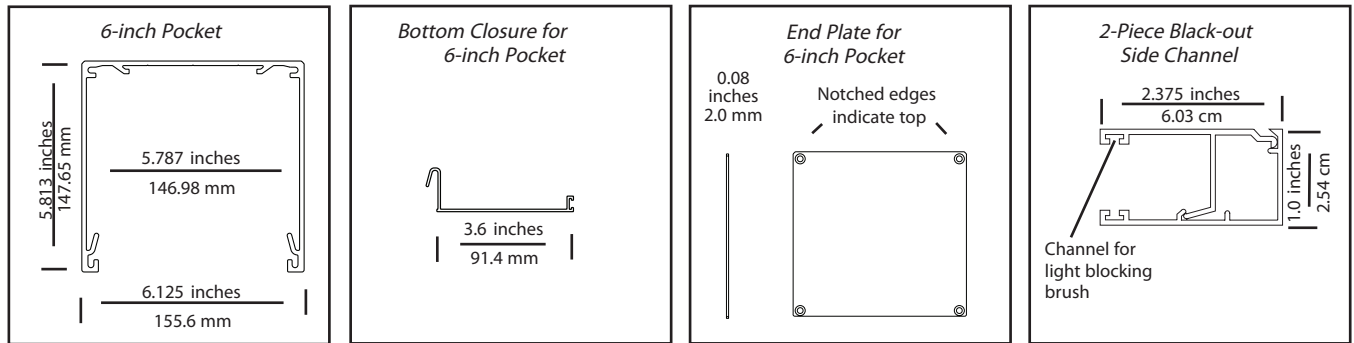


### 5-inch (127mm) Pocket Component Dimensions



### 6-inch Pocket Component Dimensions



Dimensions shown conform to aluminum extrusion industry standards for tolerances.

