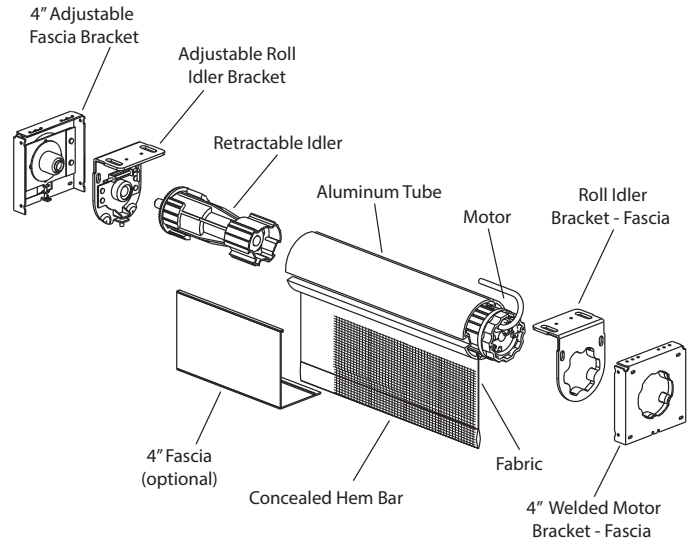
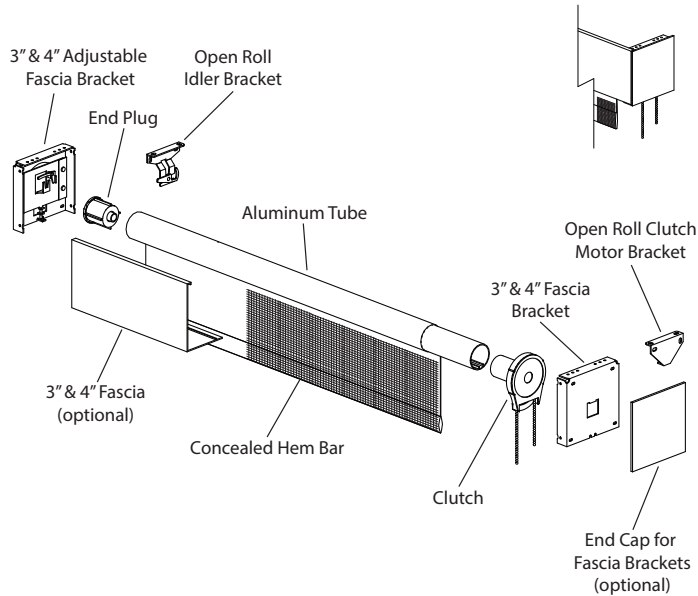


MANUAL & MOTORIZED SHADE



V-9000 Manual Shade

Manual shades offer excellent light and glare control with an uninterrupted view to the exterior. They protect furnishing from harsh UV damage and save energy costs. They are simple to use, easy to clean and durable in all types of commercial or residential installations.

- 3 sizes of clutch mechanisms for all window sizes and use
 - R8 – shades to 5 lbs & 60" width
 - R16 – shades to 12 lbs & 100 sq. feet
 - R24 – shades to 20 lbs & 120 sq. feet
- Available Battery Motor, low wattage motors
- Non-slip mechanism never needs adjustment
- Chain control – metal standard
- Left or right control
- Regular or reverse roll
- Inside or outside mount
- Without fascia standard (Optional – 3" or 4" fascia)
- Concealed hem bar heat welded into seam
- Brackets mount to ceiling, rear and side in both standard and fascia styles

MANUAL & MOTORIZED SPECIALTIES

DUAL SHADES
MULTI-BANDING SHADE PANELS

V-9500 Motorized Shade

Motorizing shades is the state-of-the-art way of controlling the interior environment of commercial, institutional and residential structures. FOR INTERIOR APPLICATIONS ONLY.

- 110V AC lift capacity – to 130 pounds @ 38 RPM (extra heavy duty motors available for special installations)
- Tubular Motors are quiet, require no maintenance, are thermally protected, UL Listed and fully encapsulated for shock resistance and stability.
- Individual Group Control (IGC) provides individual and/or group control of several shades. Interfaces with Audio Visual Systems.
- Group Control Unit controls multiple shades at one time.
- SMART LINE SYSTEMS controls shades with bus line technology operated from a central computer station which can integrate with the building management systems. The shades are controlled remotely and can be reprogrammed to operate with new stations or groupings.
- Remote controls, infrared and radio, can operate 1-15 motor or groupings of shades.